



SISTEMA A CREMAGLIERA IN ACCIAIO CROMATO PASSO 25mm
Slotted track system in chromed steel, pitch 25 mm

18



SISTEMA A CREMAGLIERA IN ACCIAIO CROMATO PASSO 25mm
Slotted track system in chromed steel, pitch 25 mm

20



SISTEMA A CREMAGLIERA IN ACCIAIO CROMATO PASSO 25mm
Slotted track system in chromed steel, pitch 25 mm

21



SISTEMA A CREMAGLIERA VERTICALE PASSO 25mm
Vertical slotted track system, pitch 25 mm

22



SISTEMA A CREMAGLIERA IN ACCIAIO CROMATO PASSO 25mm
Slotted track system in chromed steel, pitch 25 mm

26



SISTEMA A CREMAGLIERA IN ACCIAIO CROMATO PASSO 25mm
Slotted track system in chromed steel, pitch 25 mm

27



SISTEMA A CREMAGLIERA IN ACCIAIO CROMATO PASSO 25mm
Slotted track system in chromed steel, pitch 25 mm

29

SISTEMA A CREMAGLIERA VERTICALE IN ACCIAIO CROMATO PASSO 25mm

Slotted track system in chromed steel, pitch 25 mm

Per ripiani in vetro e legno
For glass and wood shelves



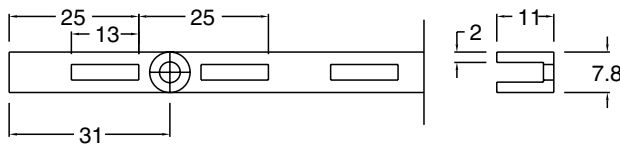
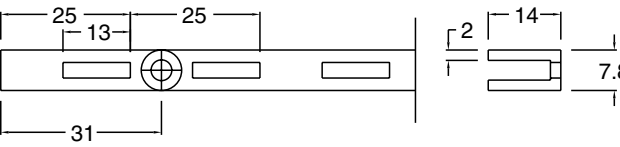
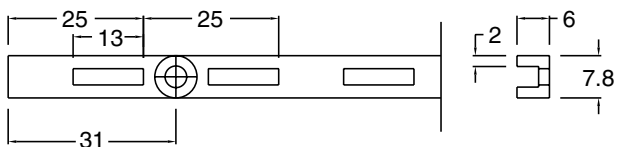
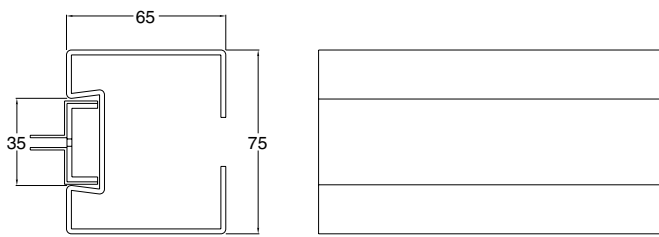
LM1001-FN14ASS



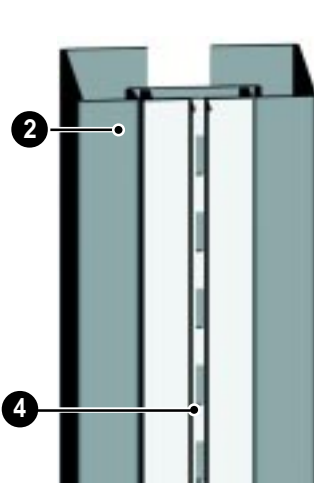
LM1001-FN142ASS



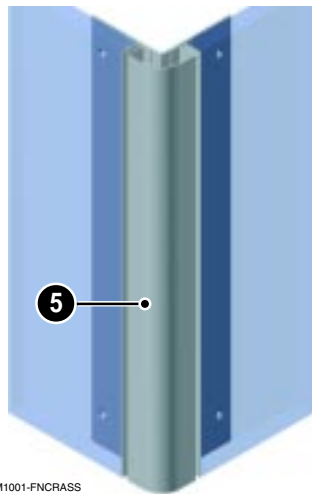
LM1001-FNS1

Pos.	Descr.	Lungh. length	Fori holes	Codice code	Qty/scatola qnt/box
1	Cremagliera N-11 Slotted track 	600	3	29 00 071 110	10
		900	4	29 00 071 111	10
		1200	6	29 00 071 112	10
		* 1500	7	29 00 071 113	10
		* 1890	9	29 00 071 114	10
		* 2400	11	29 00 071 115	10
		* 3000	14	29 00 071 116	10
1	Cremagliera N-14 Slotted track 	600	3	29 00 071 210	10
		900	4	29 00 071 211	10
		1200	6	29 00 071 212	10
		* 1500	7	29 00 071 213	10
		* 1890	9	29 00 071 214	10
		* 2400	11	29 00 071 215	10
1	Cremagliera N-6 Slotted track 	1200	6	29 00 071 310	10
		1500	7	29 00 071 311	10
		* 1890	9	29 00 071 312	10
		* 2400	11	29 00 071 313	10
2	Montante per cremagliera NSI-1 Stud for slotted track NSI-1 	* 3000		29 00 071 610	1

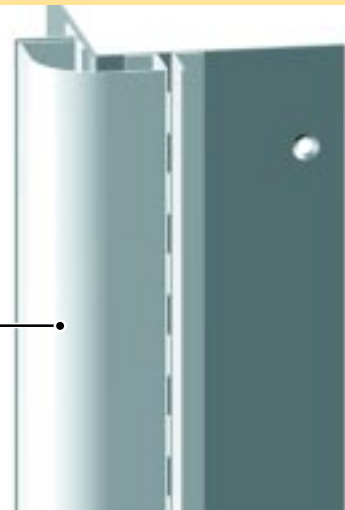
* disponibile a magazzino
available in the warehouse



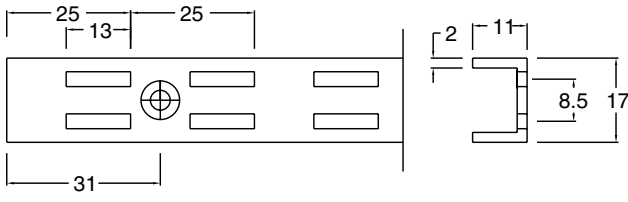
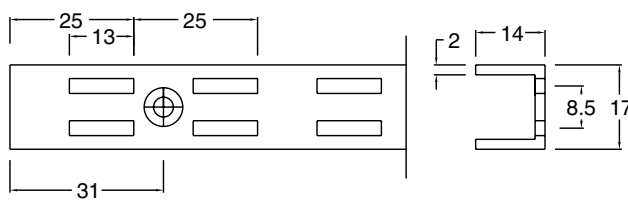
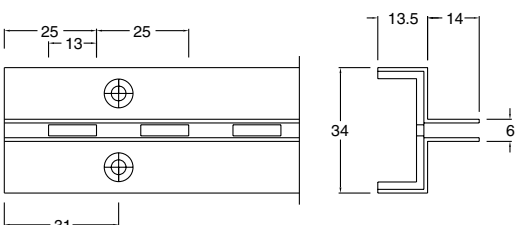
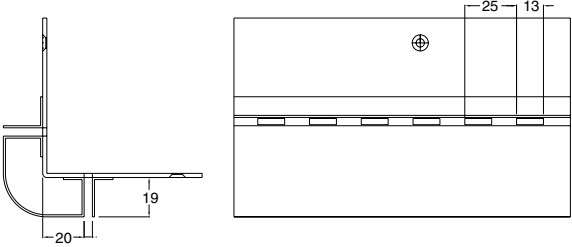
LM1001-FNS1A



LM1001-FNCRASS



LM1001-FNCR

Pos.	Descr.	Lungh. length	Fori holes	Codice code	Qty/scatola qnt/box	
3	Cremagliera Slotted track 	N-112	600	3	29 00 071 120	10
			900	4	29 00 071 121	10
			1200	6	29 00 071 122	10
			1500	7	29 00 071 123	10
			* 1890	9	29 00 071 124	10
			* 2400	11	29 00 071 125	10
			* 3000	14	29 00 071 126	10
3	Cremagliera Slotted track 	N-142	600	3	29 00 071 220	10
			900	4	29 00 071 221	10
			1200	6	29 00 071 222	10
			1500	7	29 00 071 223	10
			* 1890	9	29 00 071 224	10
			* 2400	11	29 00 071 225	10
4	Cremagliera Slotted track 	NSI-1	* 1890	9	29 00 071 510	5
			* 2400	11	29 00 071 511	5
5	Angolo Corner 	NC-R	2900		29 00 071 710	1
			3200		29 00 071 711	1

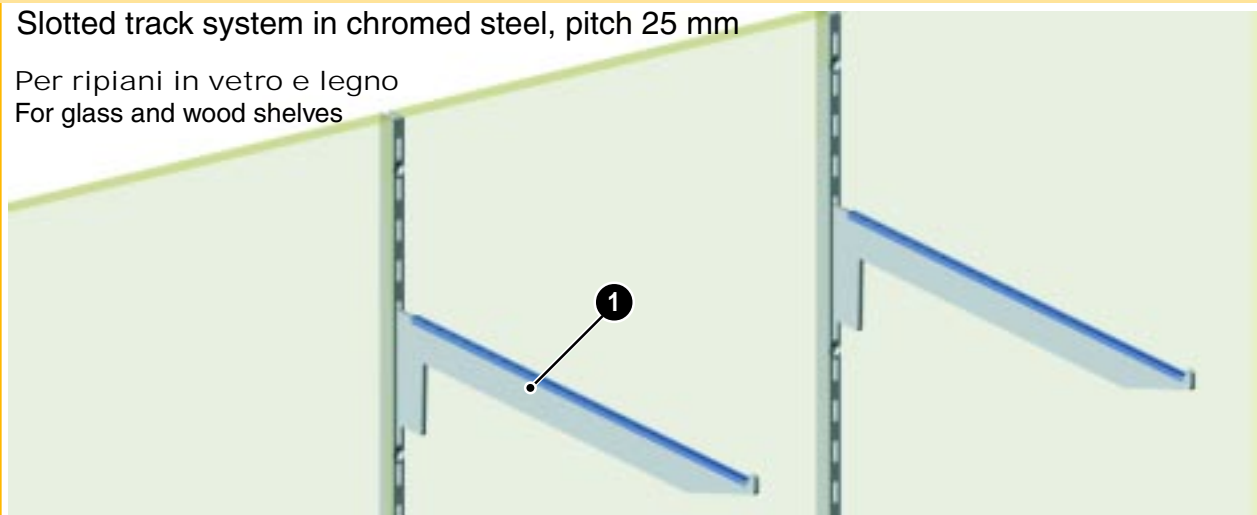
* disponibile a magazzino
available in the warehouse



SISTEMA A CREMAGLIERA VERTICALE IN ACCIAIO CROMATO PASSO 25mm

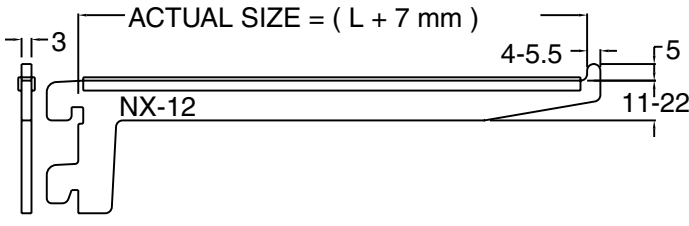

Slotted track system in chromed steel, pitch 25 mm

Per ripiani in vetro e legno
For glass and wood shelves

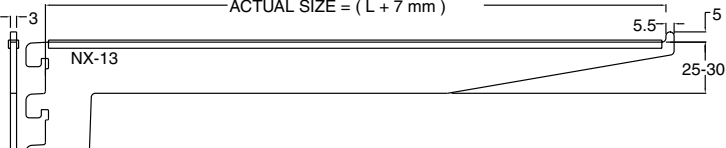



LM1001-FNX13ASS

Pos.	Descr.	Lungh. length	Dim. size	Codice code	Qty/scatola qnt/box
------	--------	---------------	-----------	-------------	---------------------

1	Mensola per ripiani in vetro Bracket for glass shelves  	NX-12		* 90 97	29 00 072 110	10
		120 127	29 00 072 111	10		
		* 150 157	29 00 072 112	10		
		180 187	29 00 072 113	10		
		* 200 207	29 00 072 114	10		
		210 217	29 00 072 115	10		
		240 247	29 00 072 116	10		
		* 250 257	29 00 072 117	10		
		270 277	29 00 072 118	10		
		* 300 307	29 00 072 119	10		
		330 337	29 00 072 120	10		
		* 350 357	29 00 072 121	10		

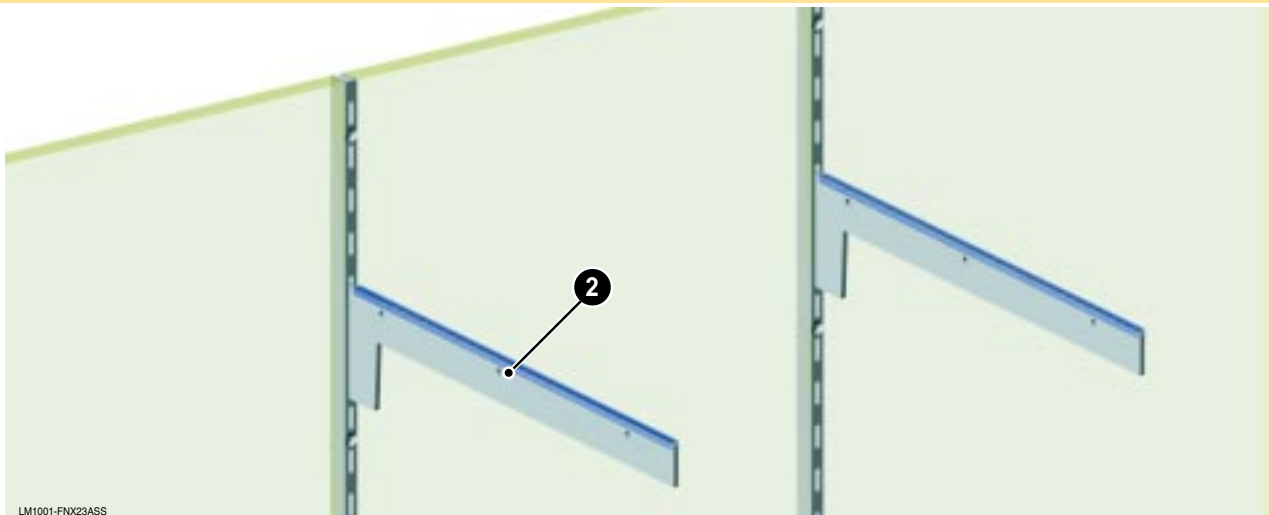
LM1001-FNX12

1	Mensola per ripiani in vetro Bracket for glass shelves  	NX-13		270 277	29 00 071 124	10
		300 307	29 00 071 125	10		
		330 337	29 00 071 126	10		
		* 350 357	29 00 071 127	10		
		* 400 407	29 00 071 128	10		
		* 450 457	29 00 071 129	10		

2900072124

LM1001-FNX13

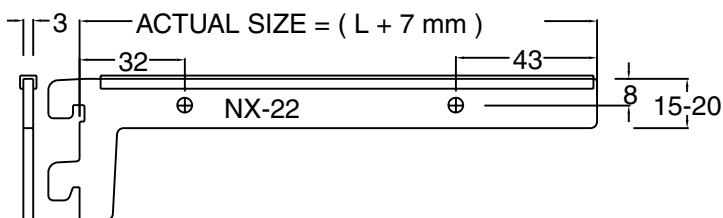
* disponibile a magazzino
available in the warehouse



LM1001-FNX23ASS

Pos.	Descr.	Lungh. length	Dim Size	Codice code	Qty/scatola qnt/box
------	--------	---------------	----------	-------------	---------------------

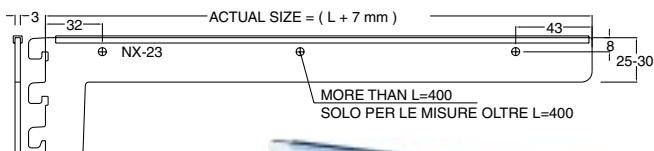
2	Mensola per ripiani in vetro NX-12 Bracket for glass shelves	*	29 00 072 210	10
		120	127	29 00 072 211	10
		* 150	157	29 00 072 212	10
		180	187	29 00 072 213	10
		* 200	207	29 00 072 214	10
		210	217	29 00 072 215	10
		240	247	29 00 072 216	10
		* 250	257	29 00 072 217	10
		270	277	29 00 072 218	10
		* 300	307	29 00 072 219	10
		330	337	29 00 072 220	10
		* 350	357	29 00 072 221	10



2900072210



2	Mensola per ripiani in vetro NX-23 Bracket for glass shelves	270	277	29 00 072 225	10
		300	307	29 00 072 226	10
		330	337	29 00 072 227	10
		* 350	357	29 00 072 228	10
		* 400	407	29 00 072 229	10
		420	427	29 00 072 230	10

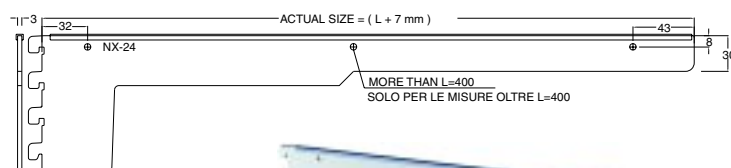


2900072225

LM1001-FNX23



2	Mensola per ripiani pesanti in vetro NX-24 Bracket for heavy glass shelves	400	407	29 00 072 235	10
		420	427	29 00 072 236	10
		* 450	457	29 00 072 237	10
		* 500	507	29 00 072 238	10
		* 550	557	29 00 072 239	10



2900072235

LM1001-FNX24



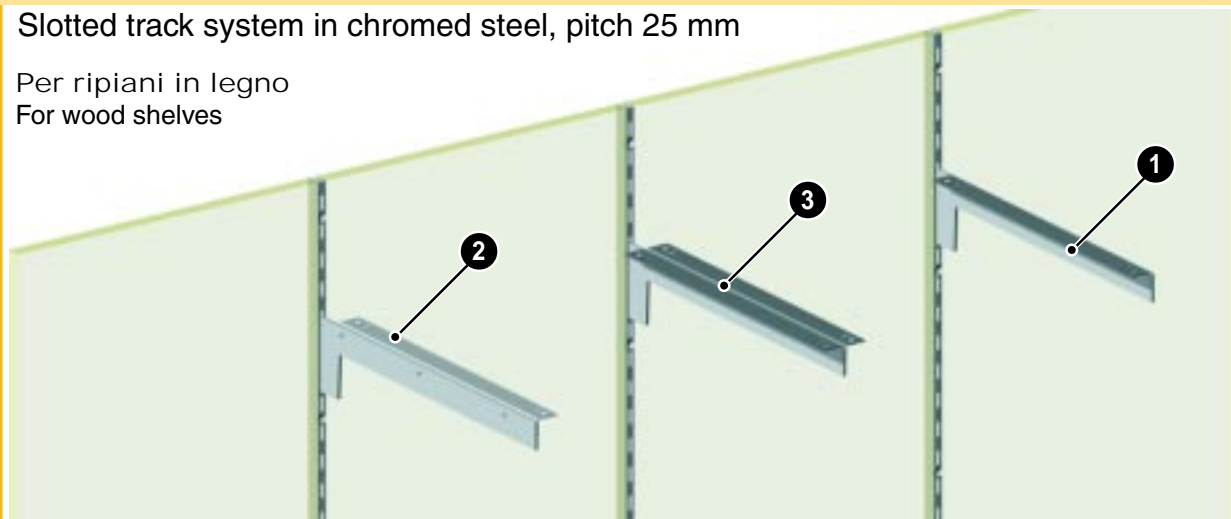
* disponibile a magazzino
available in the warehouse



SISTEMA A CREMAGLIERA VERTICALE IN ACCIAIO CROMATO PASSO 25mm

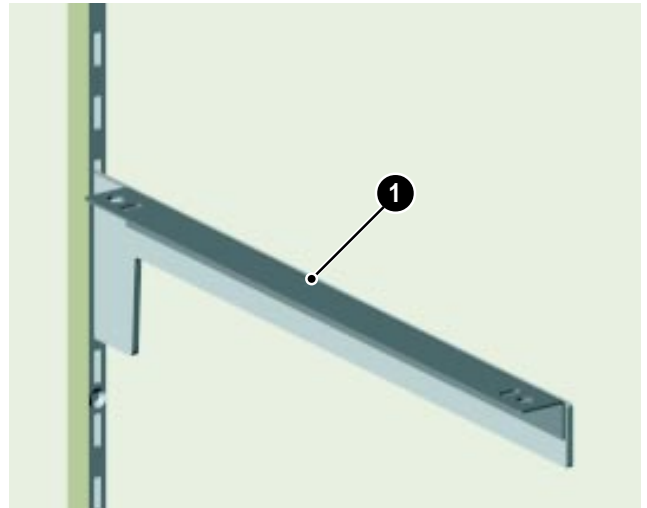
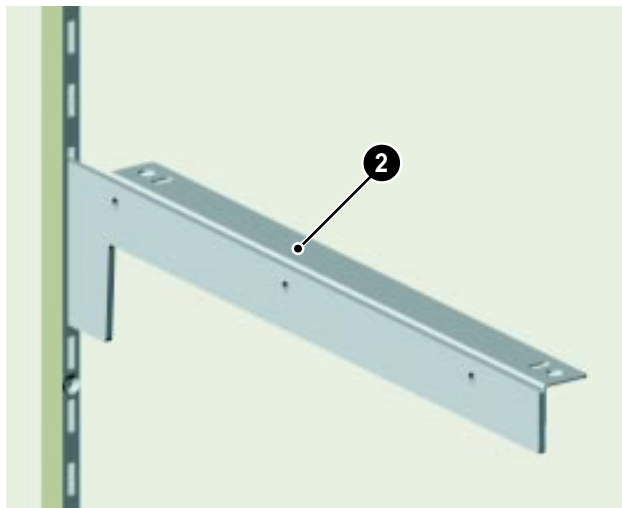
Slotted track system in chromed steel, pitch 25 mm

Per ripiani in legno
For wood shelves



LM1001-FNX413_23ASS

Pos.	Descr.	Lungh. length	Dim. size	Codice code	Qty/scatola qnt/box
1	Mensola destra Right bracket <small>2900D73110</small> <small>LM1001-FNX412R</small>	* 100	107	29 00 D73 110	10
		120	127	29 00 D73 111	10
		* 150	157	29 00 D73 112	10
		180	187	29 00 D73 113	10
		* 200	207	29 00 D73 114	10
		210	217	29 00 D73 115	10
		240	247	29 00 D73 116	10
		* 250	257	29 00 D73 117	10
		270	277	29 00 D73 118	10
		* 300	307	29 00 D73 119	10
		330	337	29 00 D73 120	10
		* 350	357	29 00 D73 121	10
		1	Mensola destra Right bracket <small>2900D73125</small> <small>LM1001-FNX413R</small>	270	277
300	307			29 00 D73 126	10
330	337			29 00 D73 127	10
* 350	357			29 00 D73 128	10
* 400	407			29 00 D73 129	10
420	427			29 00 D73 130	10
* disponibile a magazzino available in the warehouse					

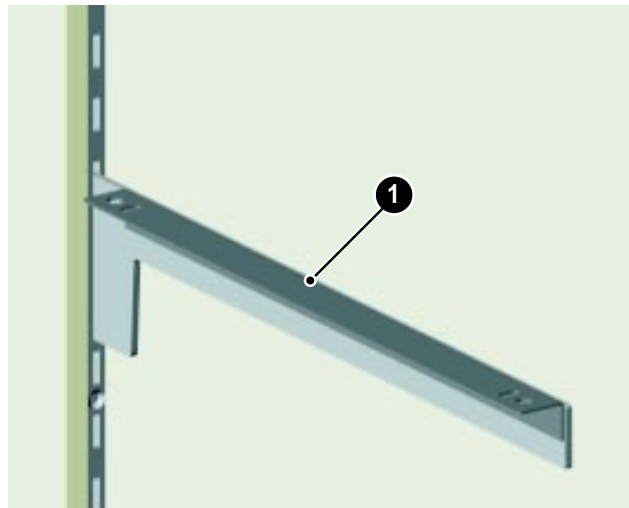
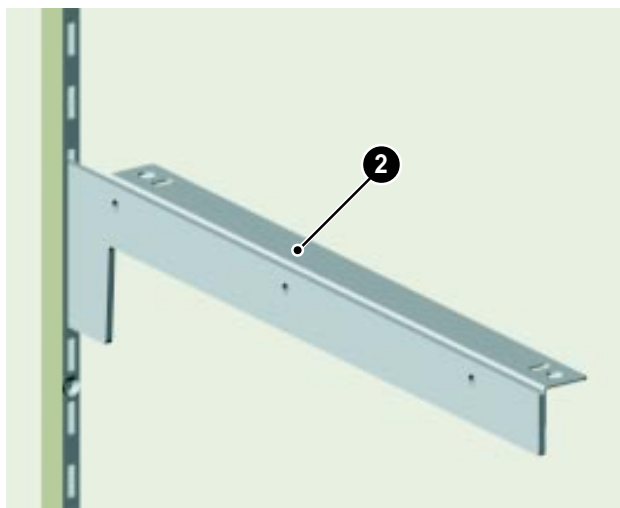


Pos.	Descr.	Lungh. length	Dim Size	Codice code	Qty/scatola qnt/box
2	Mensola sinistra Left bracket 	NX-412 L	* 100 107	29 00 S73 110	10
		120 127	29 00 S73 111	10	
		* 150 157	29 00 S73 112	10	
		180 187	29 00 S73 113	10	
		* 200 207	29 00 S73 114	10	
		210 217	29 00 S73 115	10	
		240 247	29 00 S73 116	10	
		* 250 257	29 00 S73 117	10	
		270 277	29 00 S73 118	10	
		* 300 307	29 00 S73 119	10	
		330 337	29 00 S73 120	10	
		* 350 357	29 00 S73 121	10	
		2	Mensola sinistra Left bracket 	NX-413 L	270 277
300 307	29 00 S73 126			10	
330 337	29 00 S73 127			10	
* 350 357	29 00 S73 128			10	
* 400 407	29 00 S73 129			10	
420 427	29 00 S73 130			10	

LM1001-FNX413L

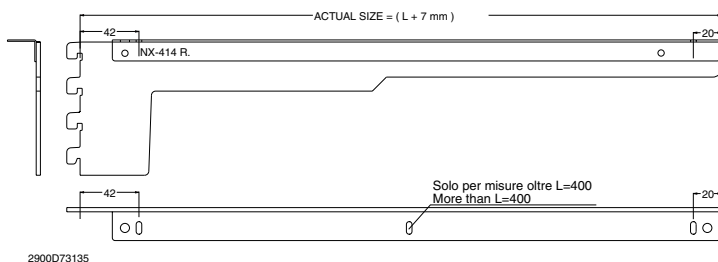
* disponibile a magazzino
available in the warehouse





Pos.	Descr.	Lungh. length	Dim. size	Codice code	Qty/scatola qnt/box
------	--------	---------------	-----------	-------------	---------------------

1	Mensola destra per carichi pesanti	NX-414 R	400 407	29 00 D73 135	10
	Right bracket for heavy loads		420 427	29 00 D73 136	10
			* 450 457	29 00 D73 137	10
			* 500 507	29 00 D73 138	10
			* 550 557	29 00 D73 139	10

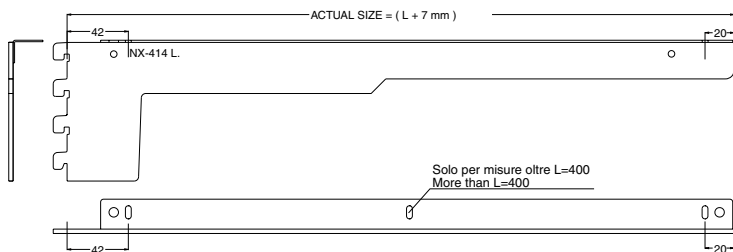


2900D73135



LM1001-FNX414R

2	Mensola sinistra per carichi pesanti	NX-414 L	400 407	29 00 S73 135	10
	Left bracket for heavy loads		420 427	29 00 S73 136	10
			* 450 457	29 00 S73 137	10
			* 500 507	29 00 S73 138	10
			* 550 557	29 00 S73 139	10

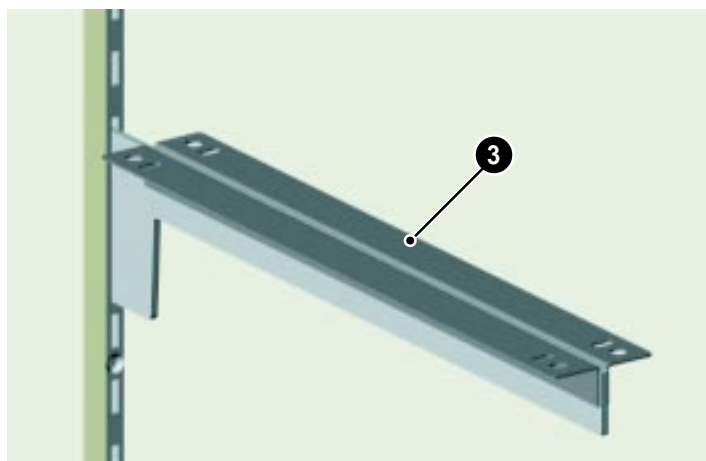


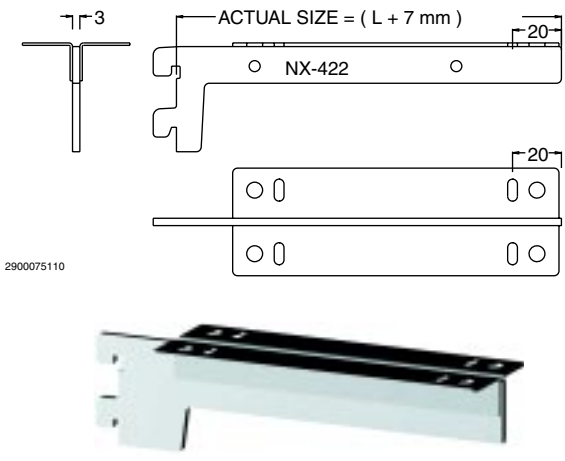
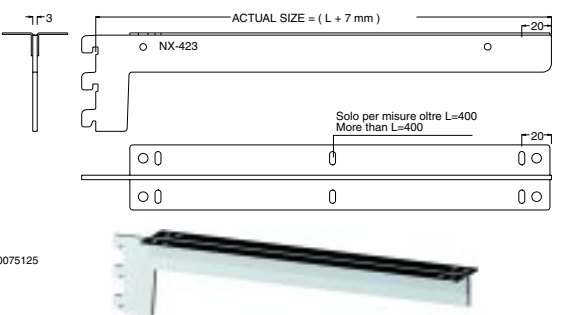
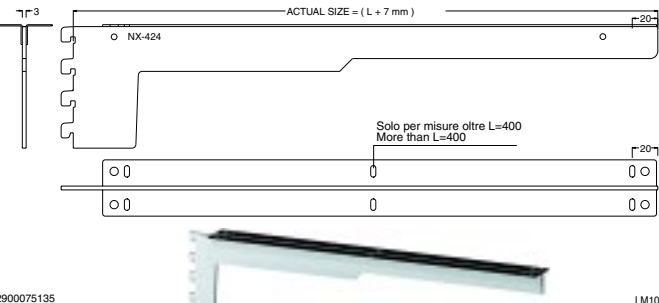
2900S73135



LM1001-FNX414L

* disponibile a magazzino
available in the warehouse

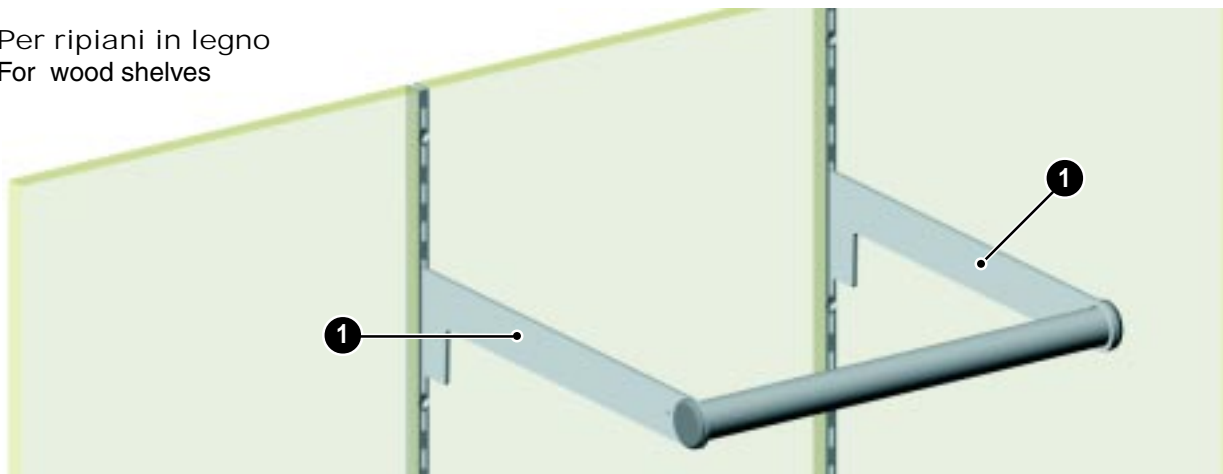


Pos.	Descr.	Lungh. length	Dim Size	Codice code	Qnt/scatola qnt/box	
3	Mensola centrale Central bracket  <small>2900075110</small> <small>LM1001-FNX422</small>	* 100	107	29 00 075 110	10	
			120	127	29 00 075 111	10
		* 150	157	29 00 075 112	10	
			180	187	29 00 075 113	10
		* 200	207	29 00 075 114	10	
			210	217	29 00 075 115	10
			240	247	29 00 075 116	10
		* 250	257	29 00 075 117	10	
			270	277	29 00 075 118	10
		* 300	307	29 00 075 119	10	
			330	337	29 00 075 120	10
		* 350	357	29 00 075 121	10	
		3	Mensola centrale Central bracket  <small>2900075125</small> <small>LM1001-FNX423</small>	270	277	29 00 075 125
300	307			29 00 075 126	10	
330	337			29 00 075 127	10	
* 350	357			29 00 075 128	10	
* 400	407			29 00 075 129	10	
420	427			29 00 075 130	10	
3	Mensola centrale per carichi pesanti Central bracket for heavy loads  <small>2900075135</small> <small>LM1001-FNX424</small>			400	407	29 00 075 135
		420	427	29 00 075 136	10	
		* 450	457	29 00 075 137	10	
		* 500	507	29 00 075 138	10	
		* 550	557	29 00 075 139	10	
		* disponibile a magazzino available in the warehouse				

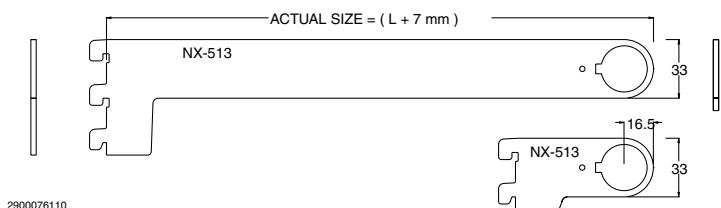


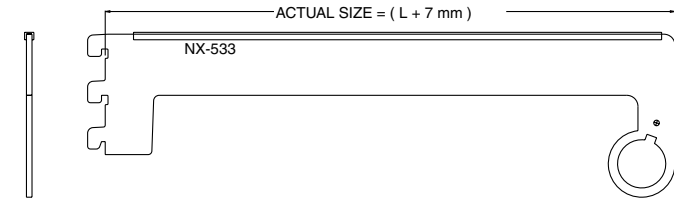

SISTEMA A CREMAGLIERA VERTICALE IN ACCIAIO CROMATO PASSO 25mm

Slotted track system in chromed steel, pitch 25 mm

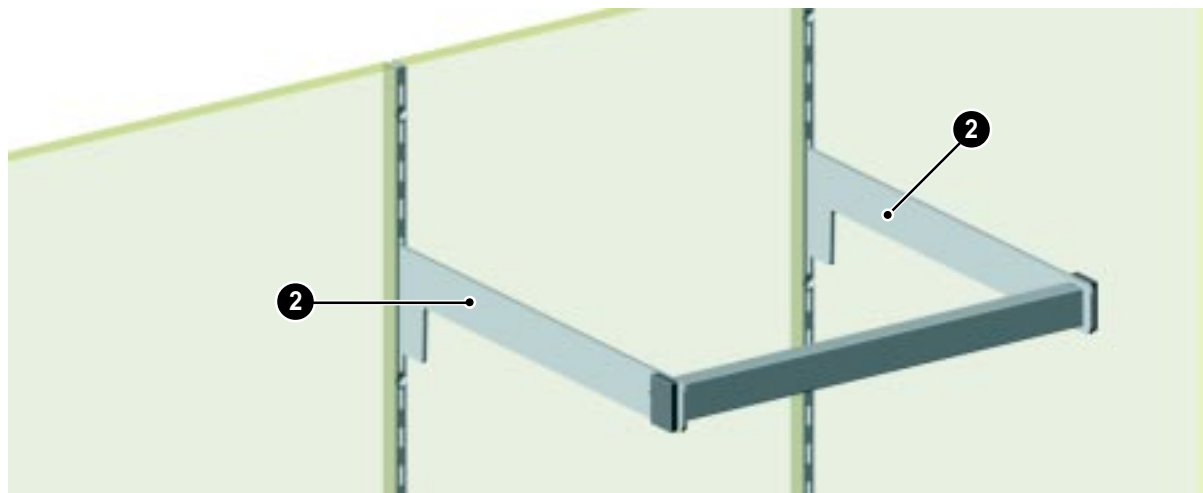
Per ripiani in legno
For wood shelves



LM1001-FNX513ASS

Pos.	Descr.	Lungh. length	Dim. size	Codice code	Qty/scatola qnt/box
1	Mensola per tubo ø 25mm NX-513 Bracket for tube ø25mm   	* 50	57	29 00 076 110	10
		70	77	29 00 076 111	10
		100	107	29 00 076 112	10
		150	157	29 00 076 113	10
		200	207	29 00 076 114	10
		* 250	257	29 00 076 115	10
		270	277	29 00 076 116	10
		* 300	307	29 00 076 117	10
		* 350	357	29 00 076 118	10
		1	Mensola per tubo ø 25mm NX-533 Bracket for tube ø25mm  	* 300	307
360	367			29 00 076 311	10

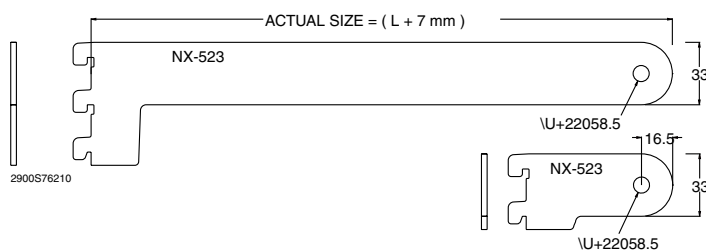
* disponibile a magazzino
available in the warehouse



LM1001-FNX613ASS

Pos.	Descr.	Lungh. length	Dim Size	Codice code	Qty/scatola qnt/box
------	--------	---------------	----------	-------------	---------------------

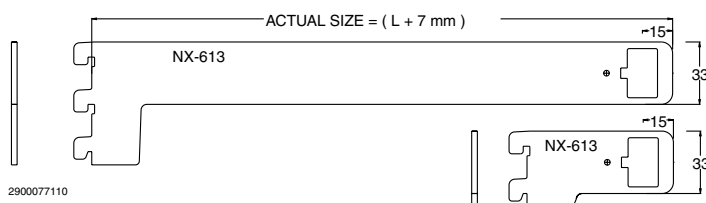
1	Mensola per tubo rotondo NX-523 Bracket for round tube	* 50	57	29 00 076 210	10
		70	77	29 00 076 211	10
		100	107	29 00 076 212	10
		150	157	29 00 076 213	10
		200	207	29 00 076 214	10
		* 250	257	29 00 076 215	10
		270	277	29 00 076 216	10
		* 300	307	29 00 076 217	10
		* 350	357	29 00 076 218	10



LM1001-FNX523

LM1001-FNX523A

2	Mensola per tubo rettangolare 15x25mm NX-613 Brackets for rectangular tube 15x25mm	* 50	57	29 00 077 110	10
		70	77	29 00 077 111	10
		* 100	107	29 00 077 112	10
		150	157	29 00 077 113	10
		200	207	29 00 077 114	10
		* 250	257	29 00 077 115	10
		270	277	29 00 077 116	10
		* 300	307	29 00 077 117	10
		* 330	337	29 00 077 118	10



LM1001-FNX613

LM1001-FNX613A

*** disponibile a magazzino**
available in the warehouse



Pos.	Descr.		Codice code	Qnt/scatola qnt/box
------	--------	--	-------------	---------------------

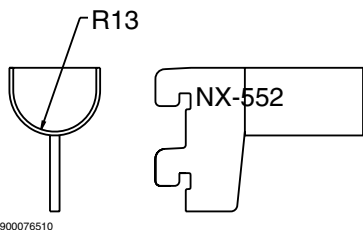
Mensola per tubo rotondo

NX-552

29 00 076 510

10

Bracket for round tube



2900076510



LM1001-FNX552

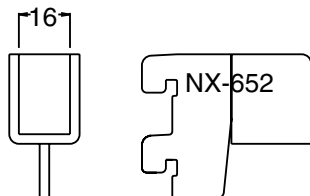
Mensola per tubo rettangolare

NX-652

29 00 077 510

10

Bracket for rectangular tube



2900077510



LM1001-FNX652

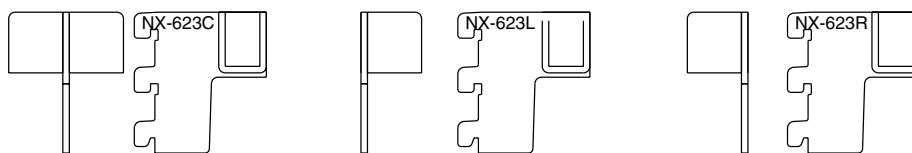
Mensola per tubo rettangolare 15x25mm

NX-623

29 00 D77 210

10

Bracket for rectangular tube 15x25mm



2900077210

29 00 S77 210

10

29 00 077 211

10



LM1001-FNX623C



LM1001-FNX623L



LM1001-FNX623R